

Advanced instructions for a smart shutter switch

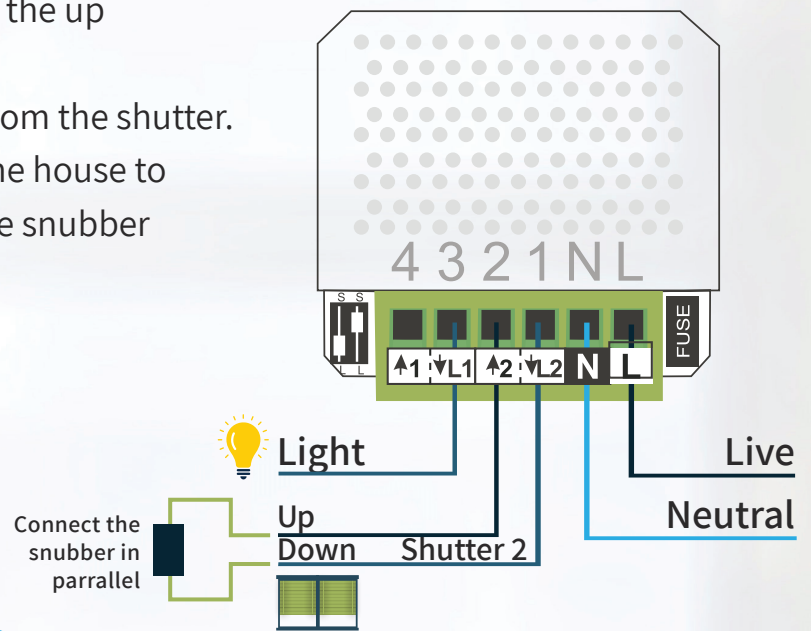
Note: There are a variety of videos on www.switchbee.com

For any questions and clarifications, it is recommended to browse the website and find the detailed explanations in the videos.

Connecting a snubber

It is recommended to connect parallel to the up and down wire of the shutter a Snubber.

The snubber prevents electrical surges from the shutter. These surges may cause other lights in the house to flash when the shutter stops. Connect the snubber according to the "drawing".



Advanced instructions for a smart shutter switch

Calibrating a shutter

Calibrating a shutter - this is to set the upper and lower points of the shutter using the current sensor. The smart switch also measures the time taken to open and close. After calibration, you can control the opening percentage of the shutter.

During shutter calibration - the smart switch opens the shutter, then closes the shutter, and finally opens the shutter again. After this has finished the shutter will have set the parameters of the shutter.

Shutter calibration is done automatically after finishing pairing a switch. It is also possible to calibrate at any stage after pairing.



Long press on the shutter switch in the App



Go to "Details"



Click "Calibrate"



Enter password (default 1234) and the shutter will start calibration

Manual calibration

In some cases the switch will not sense the limits of the shutter you can do a manual calibration. According to the following instructions:



Long press on the shutter switch in the App



Go to "Details"



Click "Calibrate"



Enter password (default 1234) and the shutter will start calibration



When the shutter reaches the upper limit press again on the physical switch in order to finish the calibration



When the shutter reaches the lower limit press again on the physical switch - the shutter will open



When the shutter reaches the upper limit press again on the physical switch - the shutter will close



Press the switch the physical switch to begin manual calibration - The shutter will open



When the smart switch starts calibrating - Press the physical switch to stop the automatic calibration and the switch will flash

Note

In the manual calibration process it does not make a difference whether you press the top or bottom button



Controlling a louvered shutter

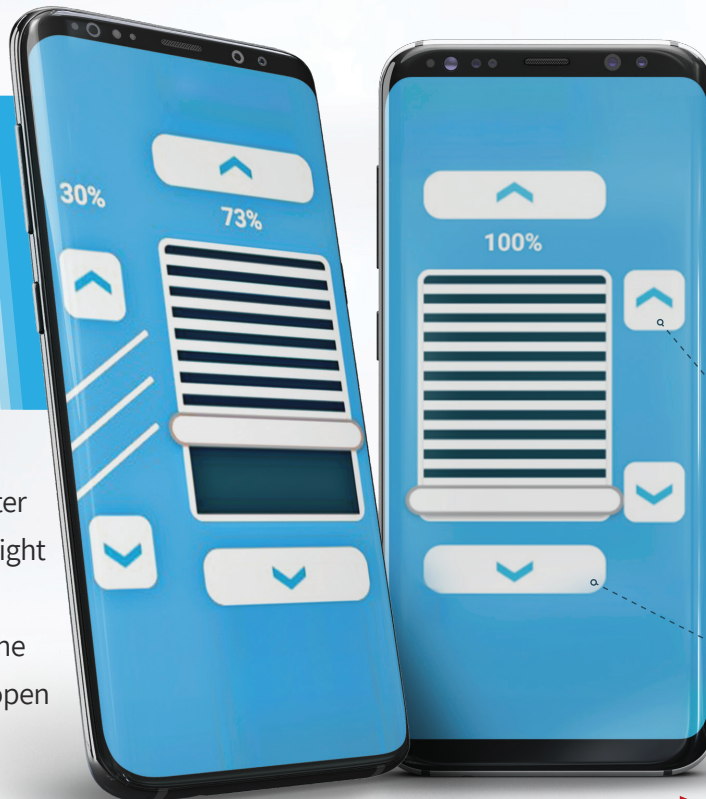
Louvered shutters are blinds that can rotate the shutter blades to let in light. Each shutter switch can be paired as a louvered shutter by selecting the louvered shutter when pairing the switch to the App.

Controlling a louvered shutter from the physical switch

A single press on the switch will turn the blades.
A long press will open or close the whole shutter.

Control via timers and scenarios

You can set a timer or a scenario for a louver shutter and set the shutter to a height and louvered turn of your choosing. The shutter in the picture will close to 73% open the blades to 30%.



Controlling a louvered shutter from the App

Controlling the louvered blades

Controlling the shutter

Note

The louvered turn is disabled when the shutter is opened (between 0%-5%)



Setting the louvered turn

In louver shutters - it is mandatory to set the louver turn time. The louver turn time is the amount of time it takes for the shutter blades to turn themselves 180 degrees. By default the shutter time is 3 seconds.

The turn time can be set using the app from 1-8 seconds in half second increments.



Long press on the shutter switch in the App



Go to "Details"



Click on "Louvered turn"



Choose the desired turn time in seconds

