

# SW-U3 Universal smart switch with 3 shutter/light gang. without a neutral

Model number - SW-U3

**This smart switch has 3 gangs.** Each gang can be configured to control a shutter or light. For example, the module can be set to control 3 shutters, 2 shutters and a light or a shutter with 2 lights and more. The configuration of the switch is determined by the dip-switches located on the back of the switch.

The switch has a current sensor that protects the switch from overload. It also measures the current consumption of the switch. In shutter mode, the current sensor detects the stopping of the shutter when it fully opens or closes. This allows for precise control of the shutter based on percentages through scenarios and the App.

## Technical Information // Module for 3 shutter/light gang

Power supply	100-240V   50-60 Hz
Load range	0-5A
Transmission frequency	MHz 433.5-434.5
Transmission range	up to 100M
Functionality	on/off, two way switch, scenario switch, timed switch, shutter switch, louver shutter switch. Double scenario switch
Background lighting	Shade of color and brightness can be set in the application
Current sensor	0-30A
Protections and safety	Triple protection: <b>1//</b> Thermal fuse for protection against overheating. <b>2//</b> Current sensor protection. <b>3//</b> 5A fuse protection
Dimensions	height 66 mm, width 44 mm, depth 30 mm Compatible with a variety of decorative panels



# SW-U3 Universal smart switch with 3 shutter/light gang. without a neutral

## Installation instructions

### Installation of a combined switch

Connect live **to L**

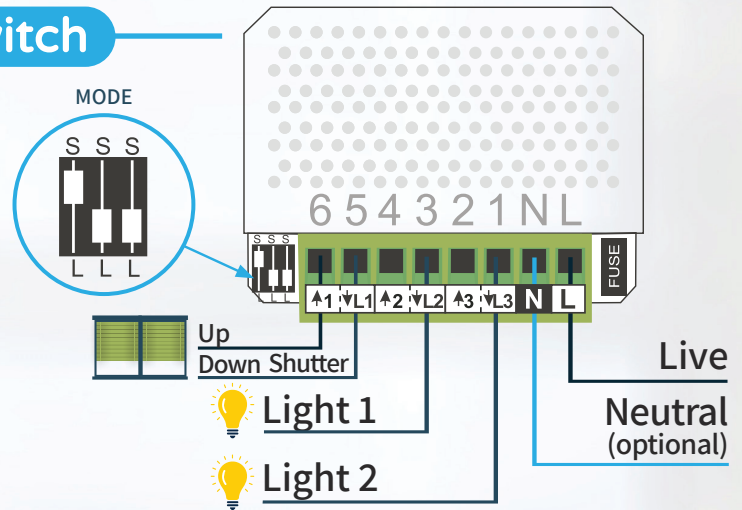
Connected neutral **to N** (optional)

Connect live returns to **L2** and **L3**

Connect the down wire of the shutter to **L1** and the ascending to **L1**

(This is one example of installing the switch. The dip switches return wires can be swapped to move the shutter to the other side).

- Position the dip switches as shown in the diagram.
- There is no need to connect a neutral.
- If there is a neutral it is advisable to connect it.
- It is recommended to connect a neutral for a dimmer switch.



### Installation of a triple shutter

Connect live **to L**

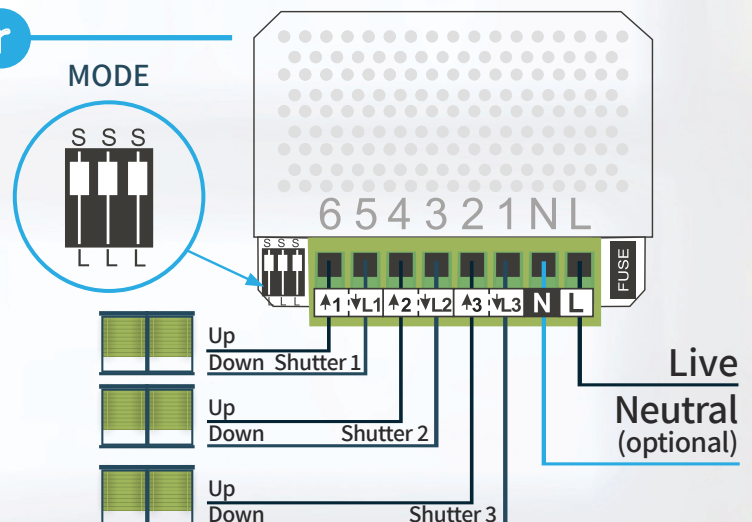
Connected neutral **to N** (optional)

Connect the down wire of the shutter to **L1** and the ascending to **L1**

Connect the down wire of the shutter to **L2** and the ascending to **L2**

Connect the down wire of the shutter to **L3** and the ascending to **L3**

- Lift the dip-switch as shown in the diagram.
- This switch does not require a neutral.
- If there is a neutral it is recommended to connect it.





# SW-U3 Universal smart switch with 3 shutter/light gang. without a neutral

## Additional advanced functions

### Lock mode

This will disable the physical switch, however the switch will still operate from the application. It is also possible to create a scenario that can lock a group of switches. You are also able to create a timer that will operate the lock scenario.

### Proximity sensor

This will turn on background lighting in the switch when your hand nears the panel.

### Sensitivity

This allows you to set the sensitivity of the touch sensor.

### Advanced button

By clicking this button in the application you can see the following data:

- **RSSI-EU** // Signal strength from the central unit to the switch. Signal over 100 is excellent reception. Signal 80-100 ok. Lower than 80 is bad.
- **RSSI-AP** // Signal strength from the switch to the central unit. Signal over 100 is excellent reception. Signal 80-100 ok. Lower than 80 is bad.
- **CURRENT** // The current passing through the switch. Measured by the current sensor.
- **VERSION** // Software version of the switch.

### Double scenario

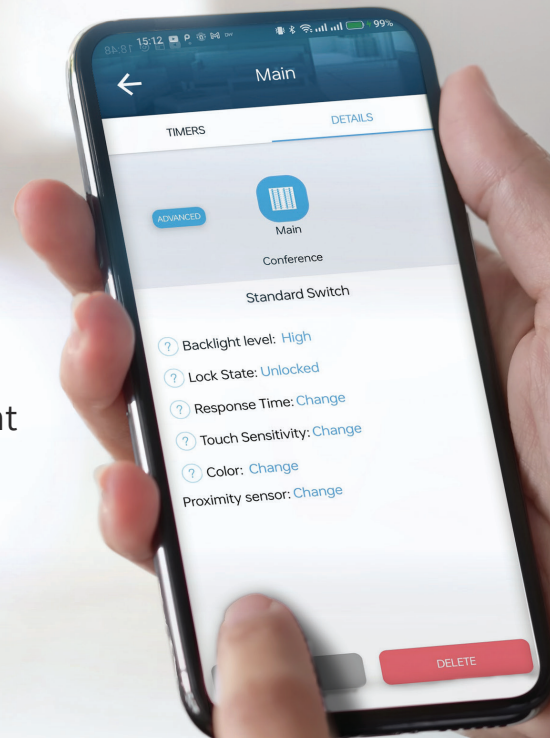
Use one switch to control two separate scenarios.

### Response time

Change the length of time needed to touch the switch until it operates. Useful when you want to prevent accidental touches from triggering the switch. For example, a delayed press on a scenario to turn off multiple switches.

### Colour

Change the on/off display colour of the switch



For more details - go to the tutorial section on the website

[www.SwitchBee.com](http://www.SwitchBee.com)



# CONFIGURABLE

○  
**Multifunctional configuration -**  
One module fits All

○  
**Set - Backlight**  
Color and intensity

○  
**Set -**  
Proximity sense

○  
**Set -**  
Touch Sensitivity

○  
**Set -**  
Response time

○  
**Set -**  
Lock

## Standard switch= On/Off

Simple turn 'on or off' of lighting or electrical appliance

## Scenario Switch

The ability to group multiple smart devices and control them together

## Dimmer Switch

The ability to dim a dimmable light

## Two Way Switch

The ability to set up a two way switch (more than one per light) without wiring

## Timed Switch

The ability to set activation time (From 1 second to 7 hours)

## Shutter / Curtain / Louvers

The ability to set the opening percentage of the shutter and the louvers

